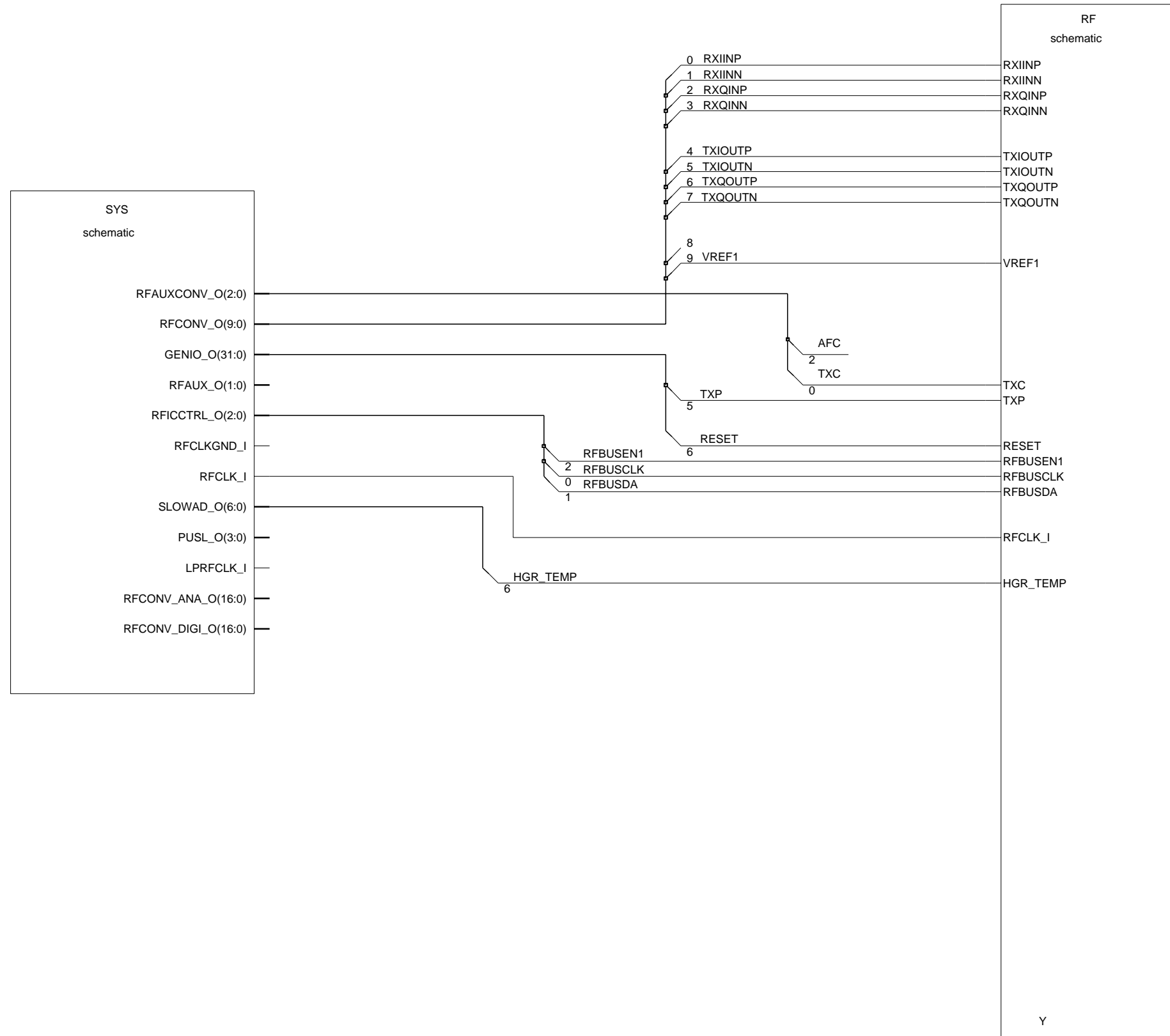


10 - SCHEMATICS

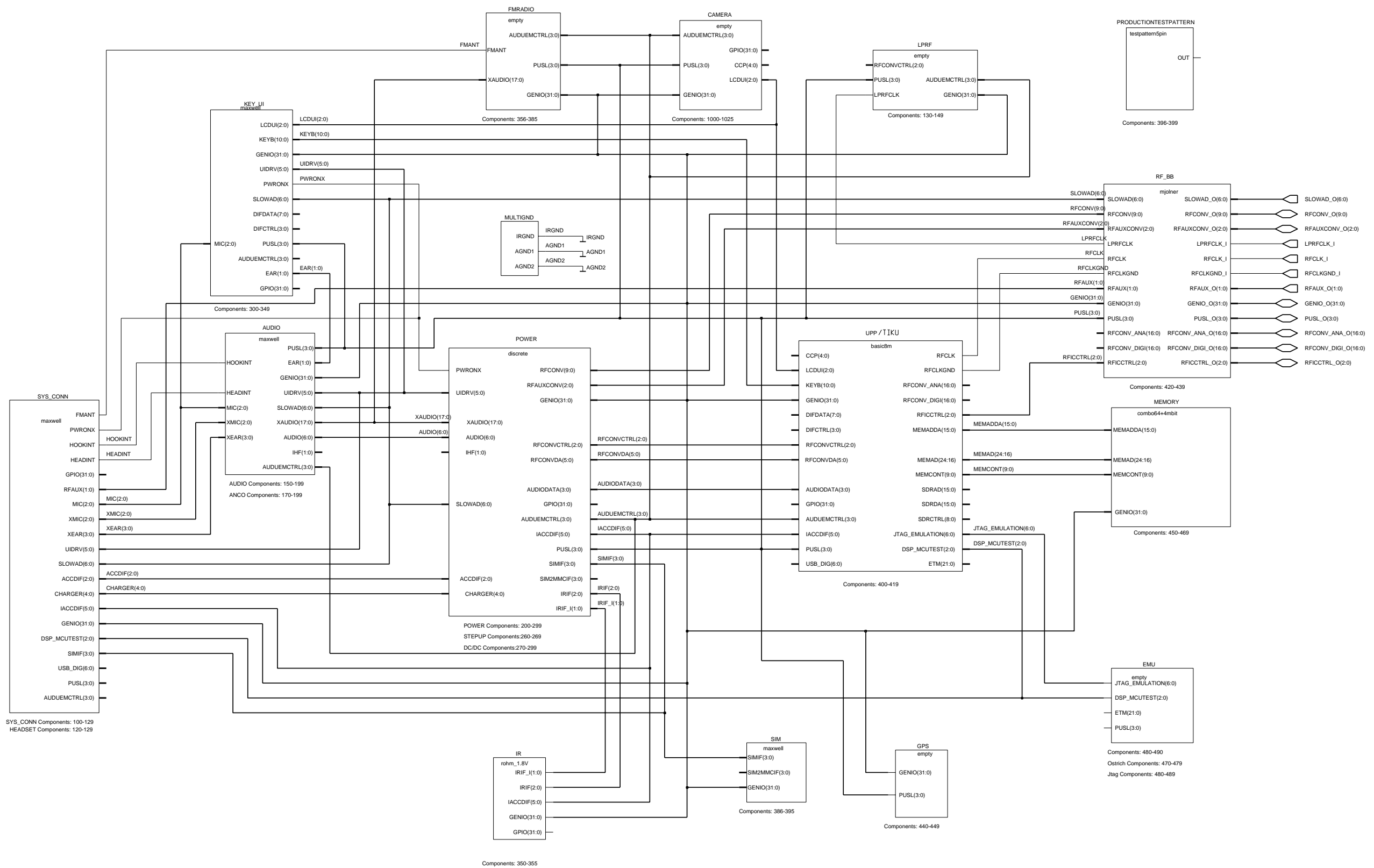
Table of Contents

	Page No
Schematics (Table of Contents)	10-1
Top sheet	10-2
DCT4 Common Baseband Schematic (Top Level)	10-3
NPL-2 System Connector	10-4
NPL-2 User Interface	10-5
SIM reader for NPL-2	10-6
Discrete Power Management	10-7
DC/DC Converter	10-8
For old power discrete users	10-8
PWR resistor 1210	10-9
Light filtering	10-9
UPP 8M Implementation	10-10
Discrete decoupling capacitors for UPP	10-11
Combo Memory 64 + 4 Mbit	10-12
Empty wing sheet	10-13
Discrete capacitor for memory without VFlash1	10-14
FM radio unit is not included in this product	10-14
5 pin Reduction Test Pattern	10-15
GSM RF - Baseband Interface	10-16
NPL-2 Audio	10-17
MultiGND symbol bypass	10-18
GPS Empty sheet	10-18
Rohm IR Module 1.8V	10-19
IR resistor 1210	10-20
RF Top sheet	10-20
Power Amplifier	10-21
Mjoelner	10-22

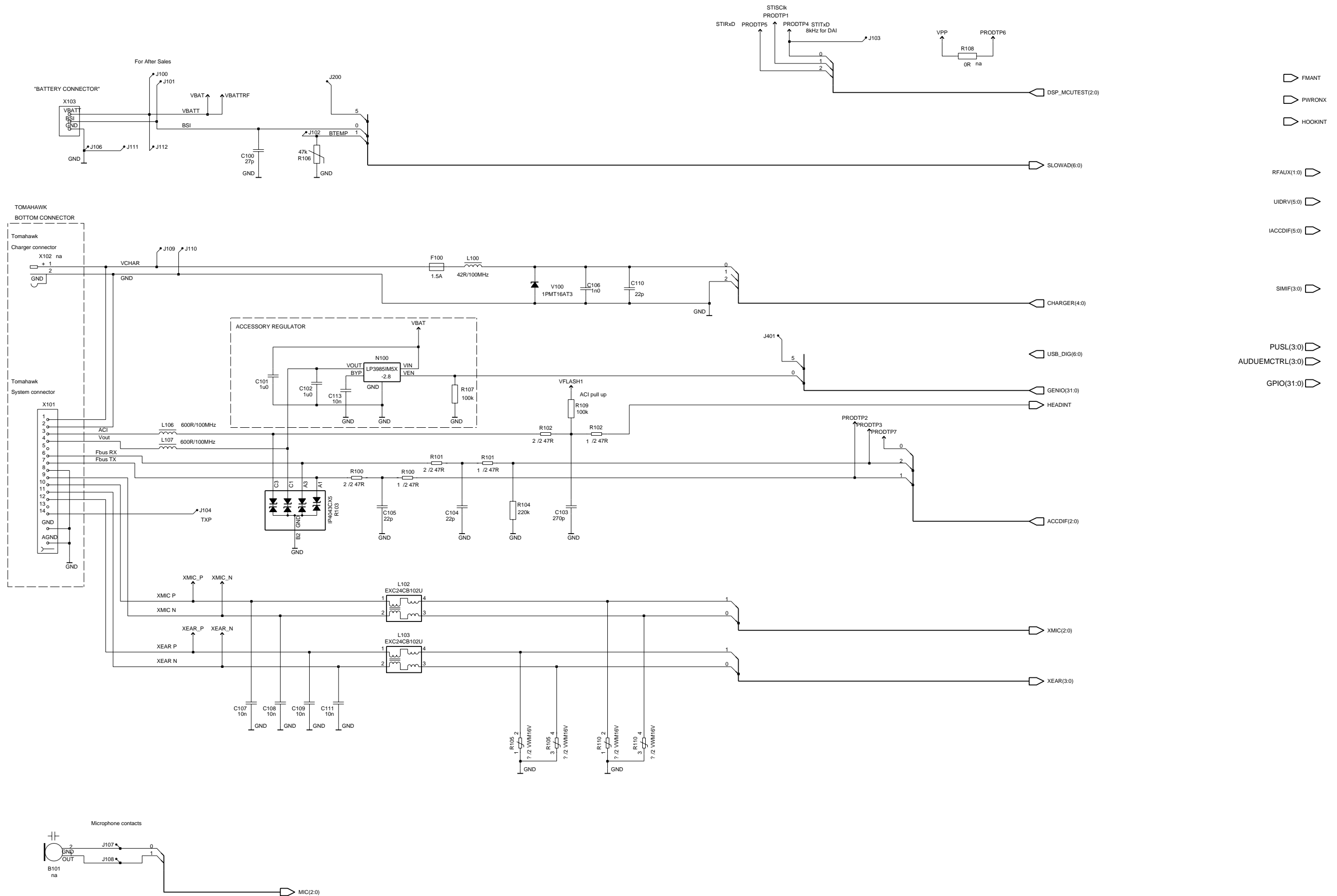
Title Top sheet



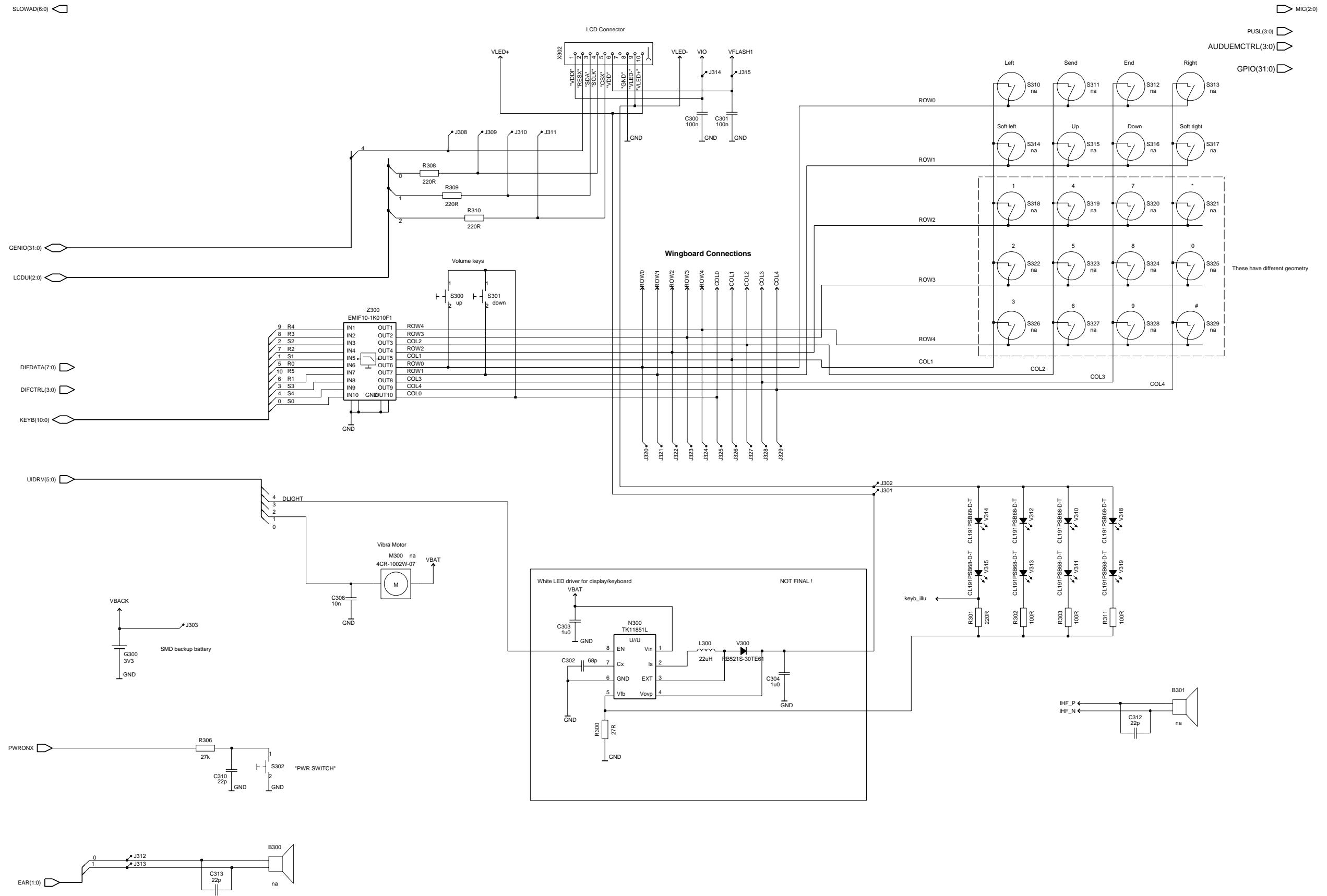
Title DCT4 Common Baseband Schematic (Top Level)



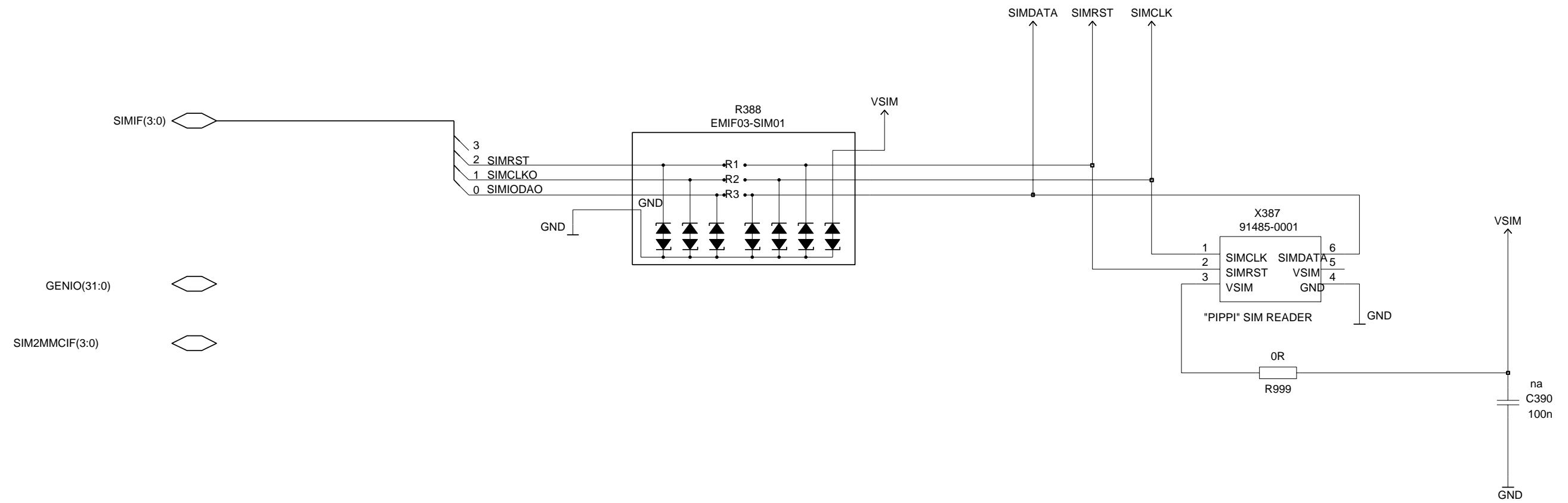
Title NPL-2 System Connector



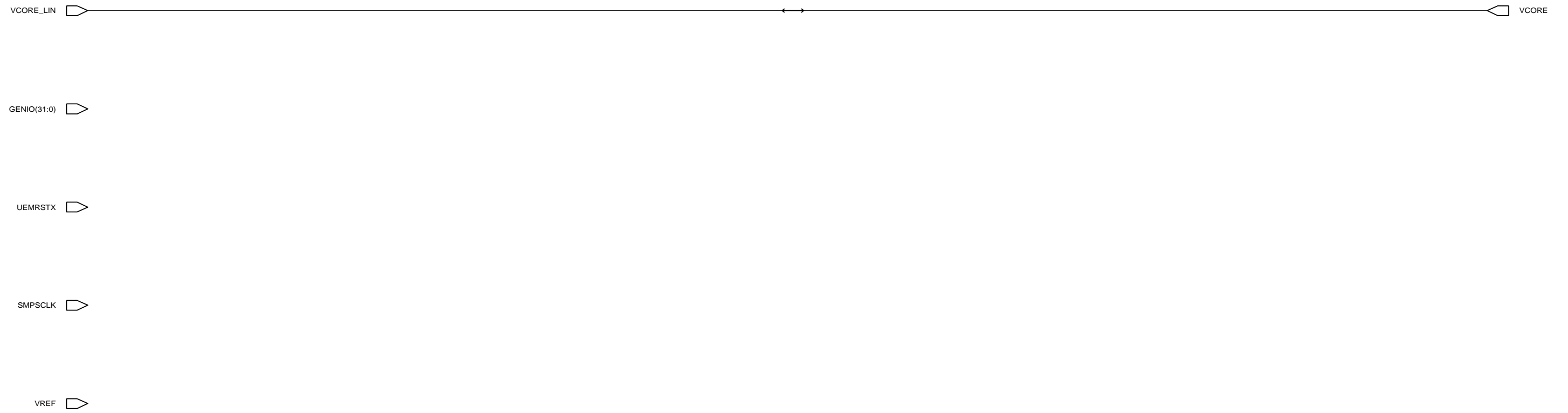
Title NPL-2 User Interface



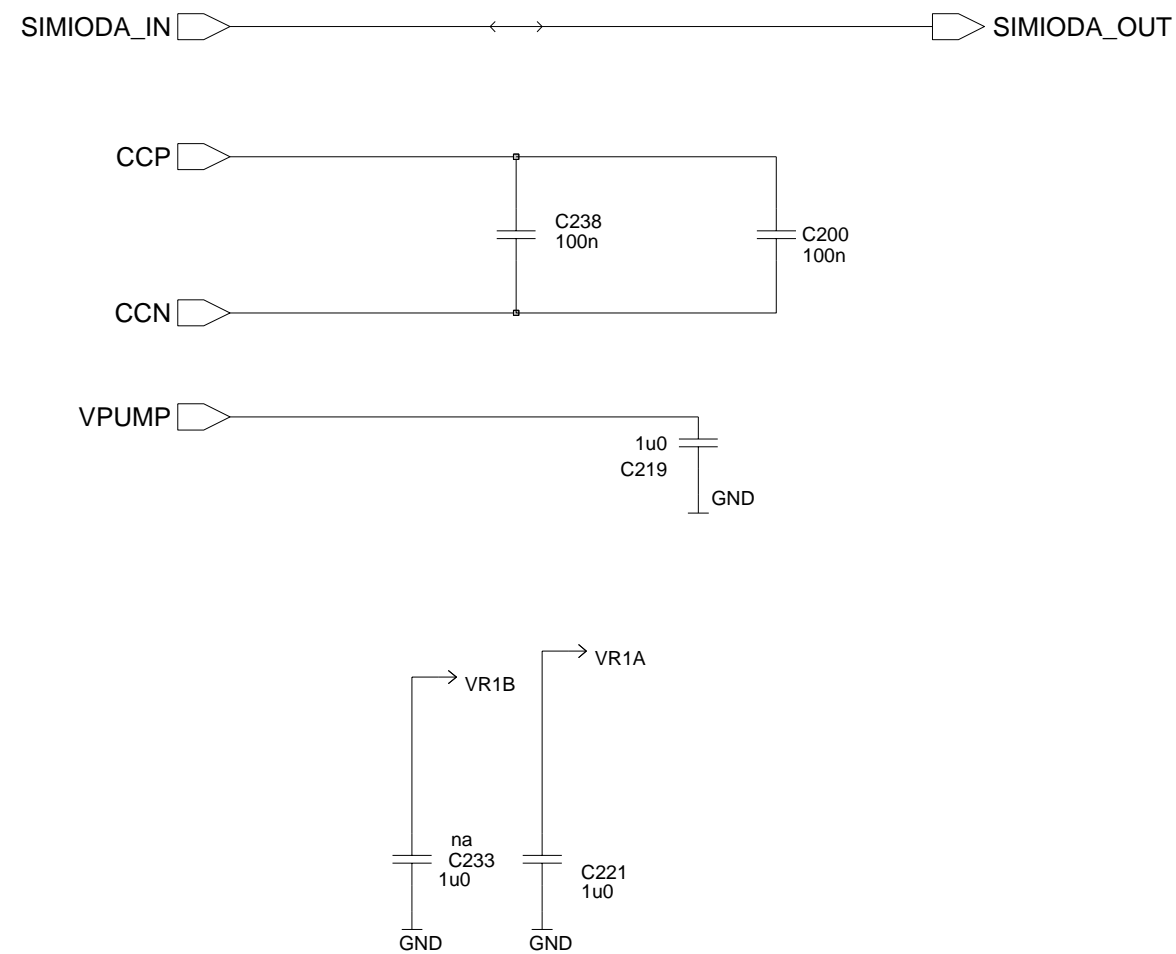
Title SIM Reader



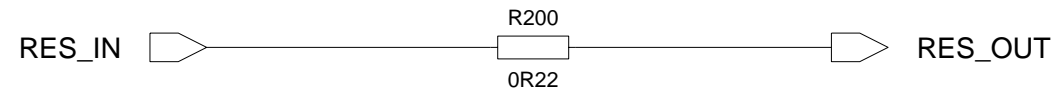
Title DC/DC Converter



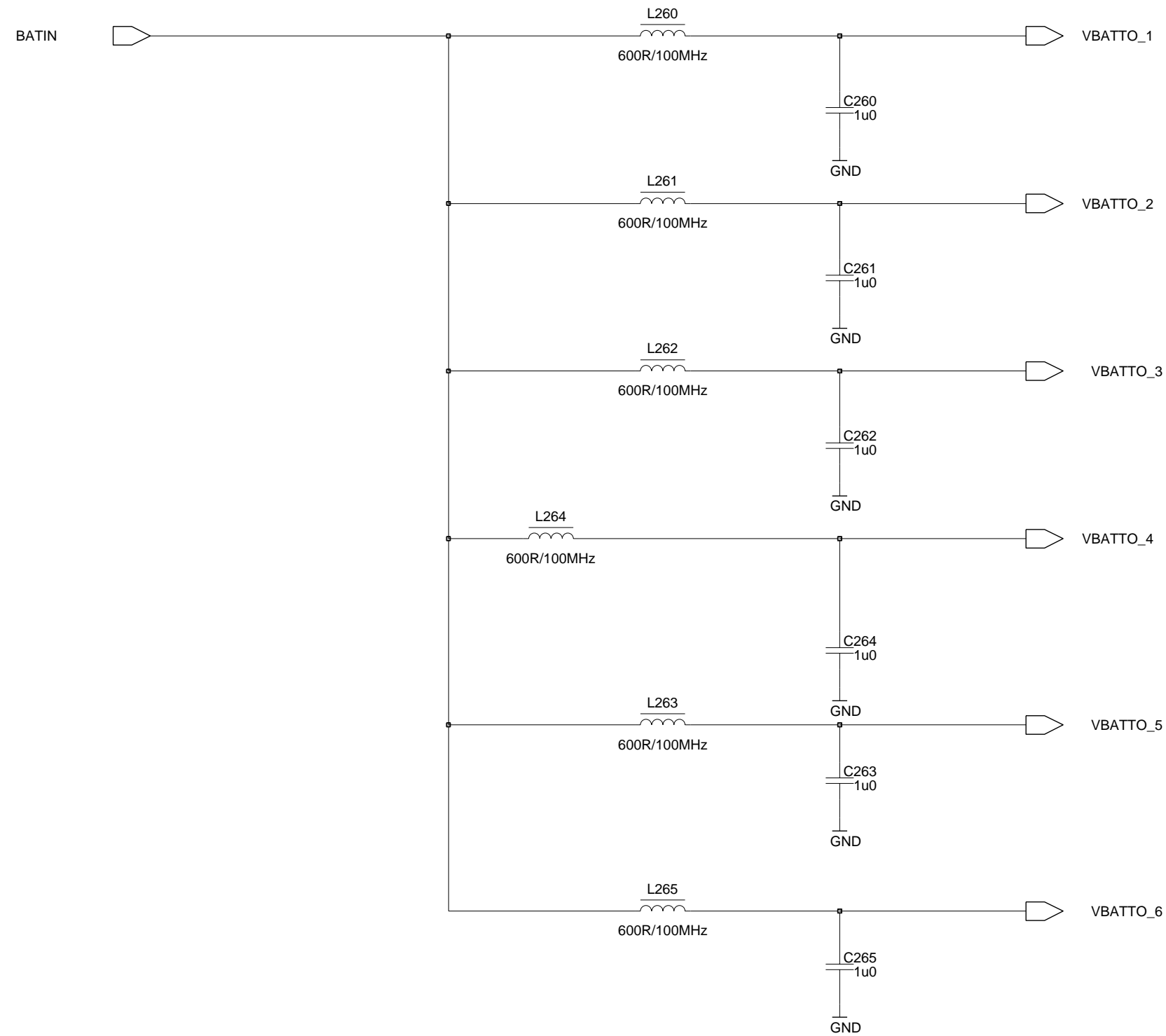
Title For old power discrete users



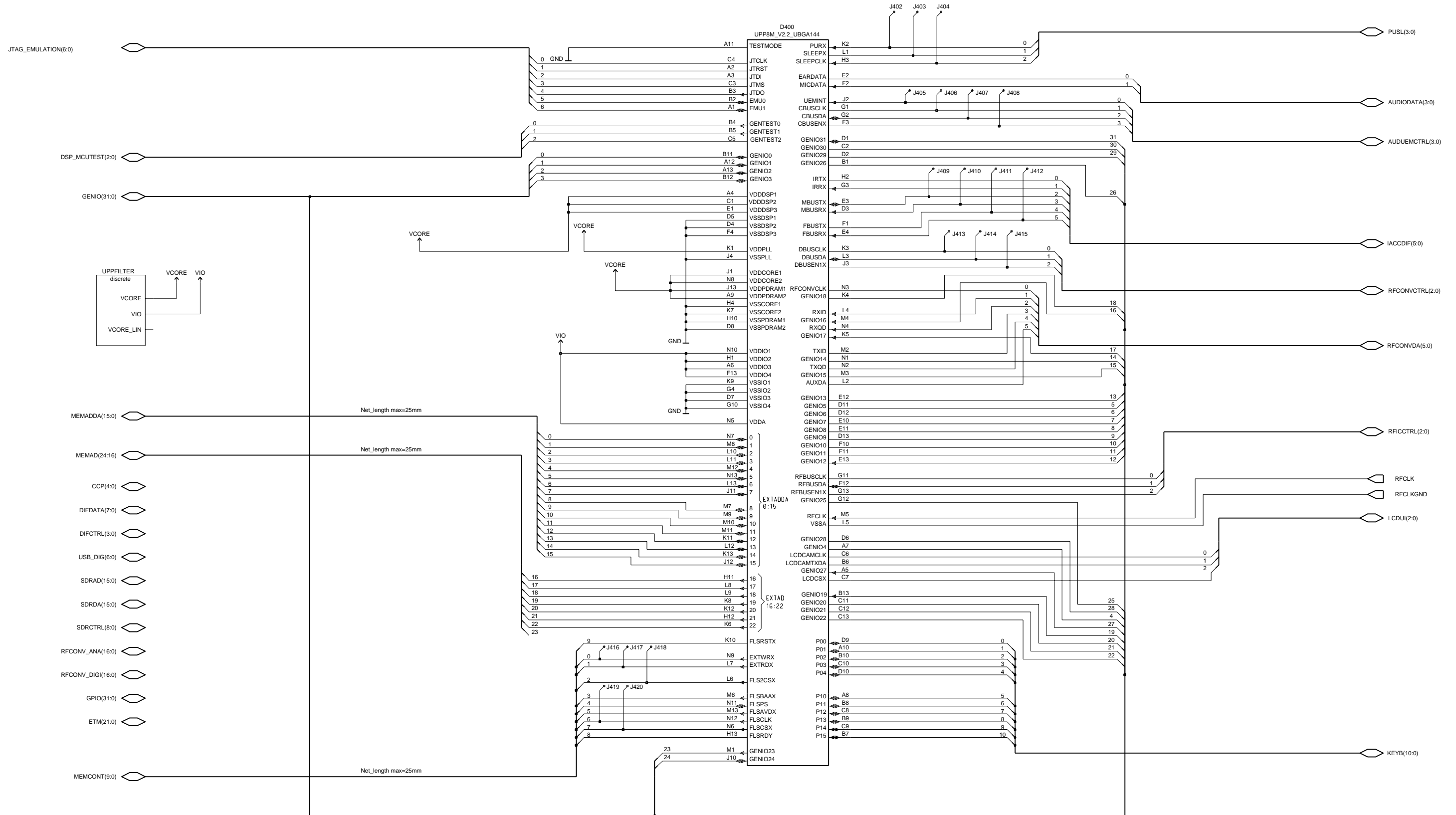
Title PWR resistor 1210



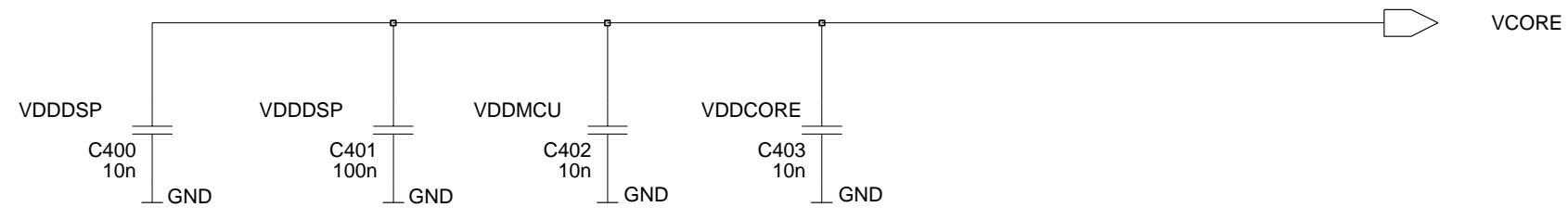
Title Light filtering



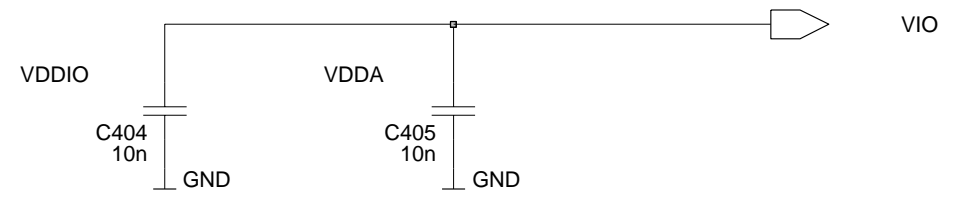
Title UPP 8M Implementation



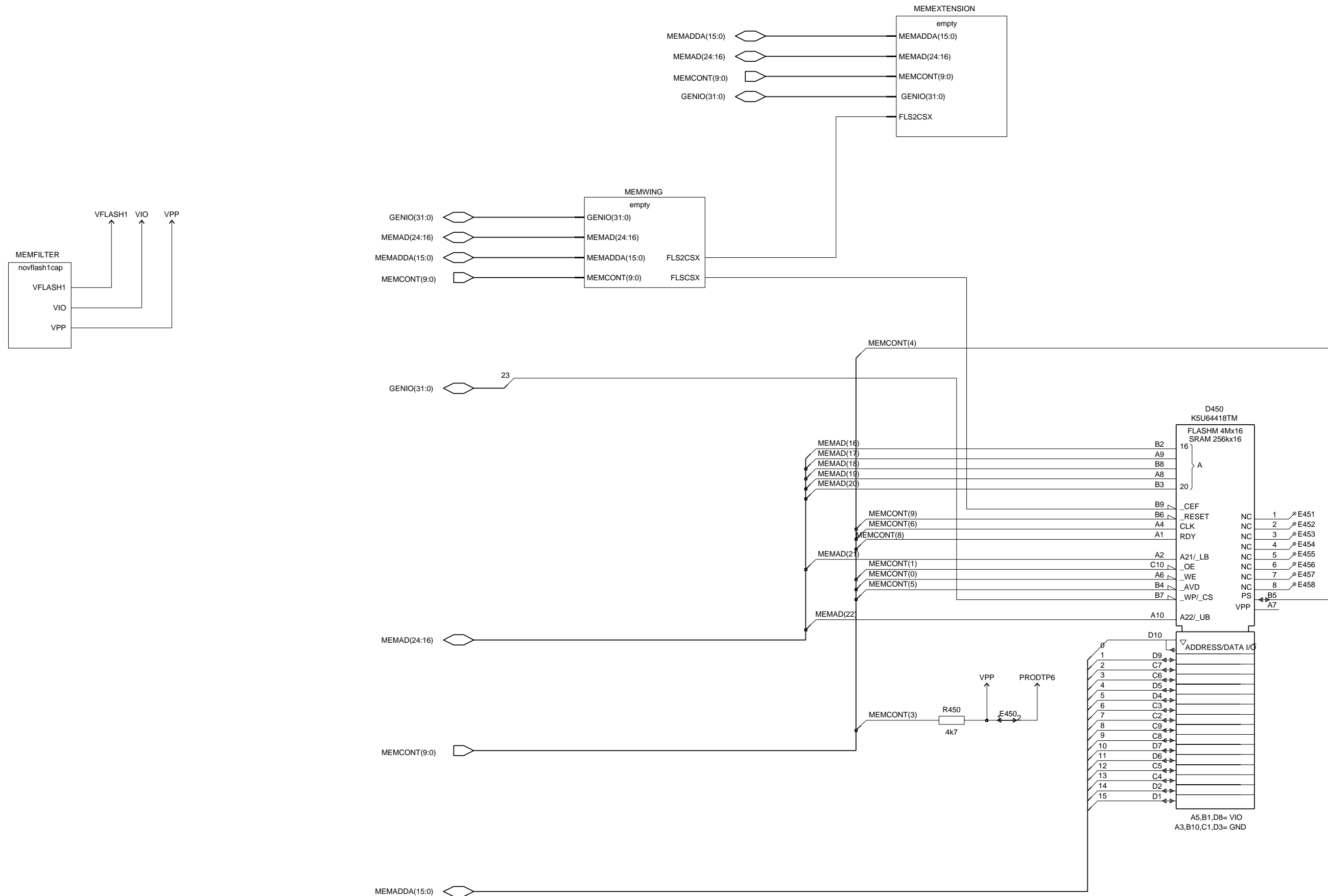
Title Discrete decoupling capacitors for UPP



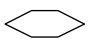
VCORE_LIN

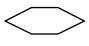


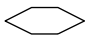
Title Combo Memory 64 + 4 Mbit



Title Empty wing sheet

MEMADDA(15:0) 

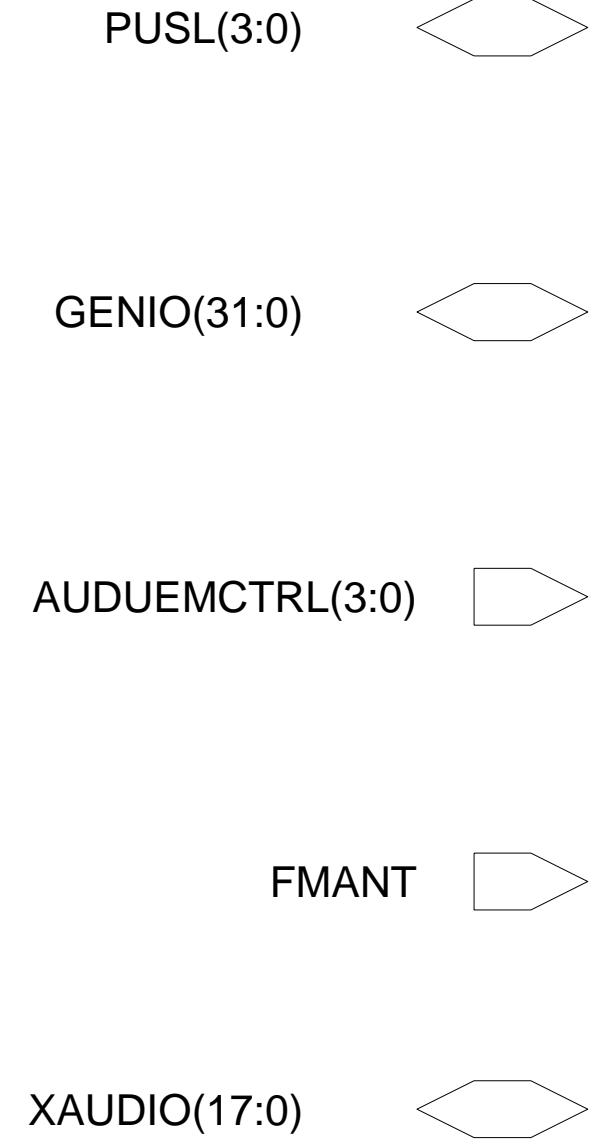
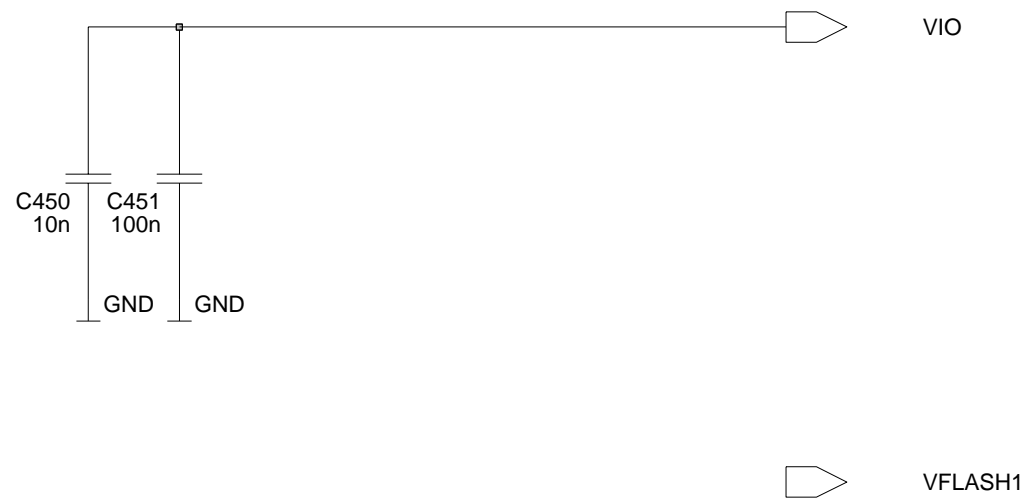
MEMAD(24:16) 

GENIO(31:0) 

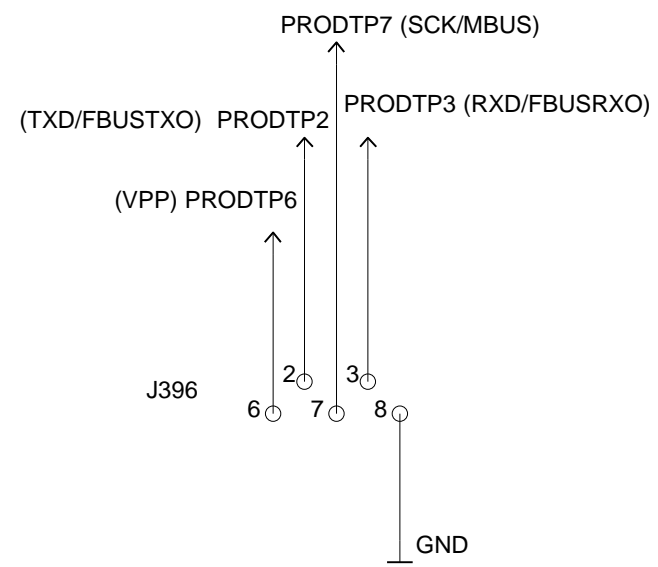
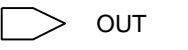


Title Discrete capacitors for memory without VFlash1

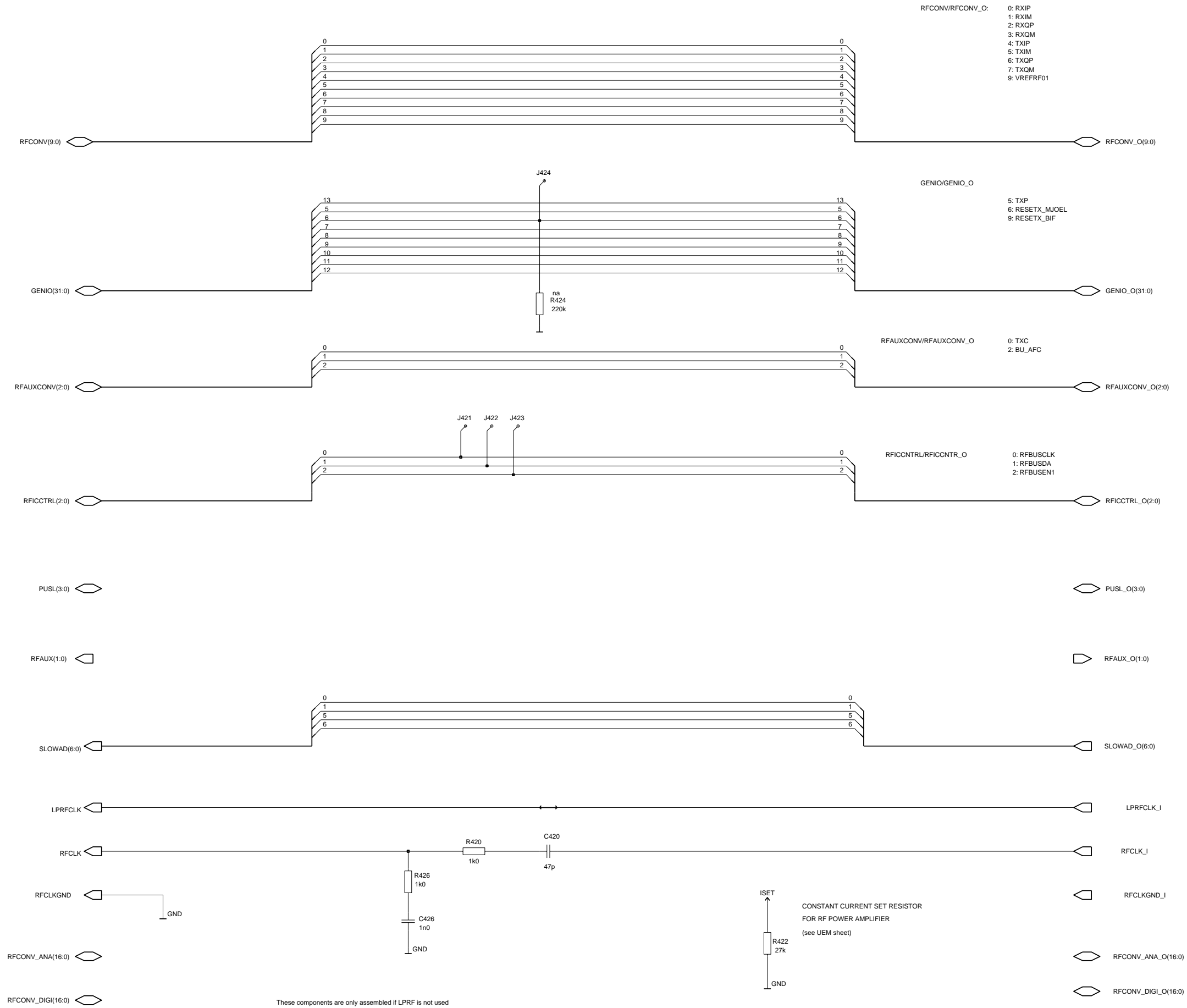
Title FM radio unit is not included in this product



Title 5 pin Production Test Pattern

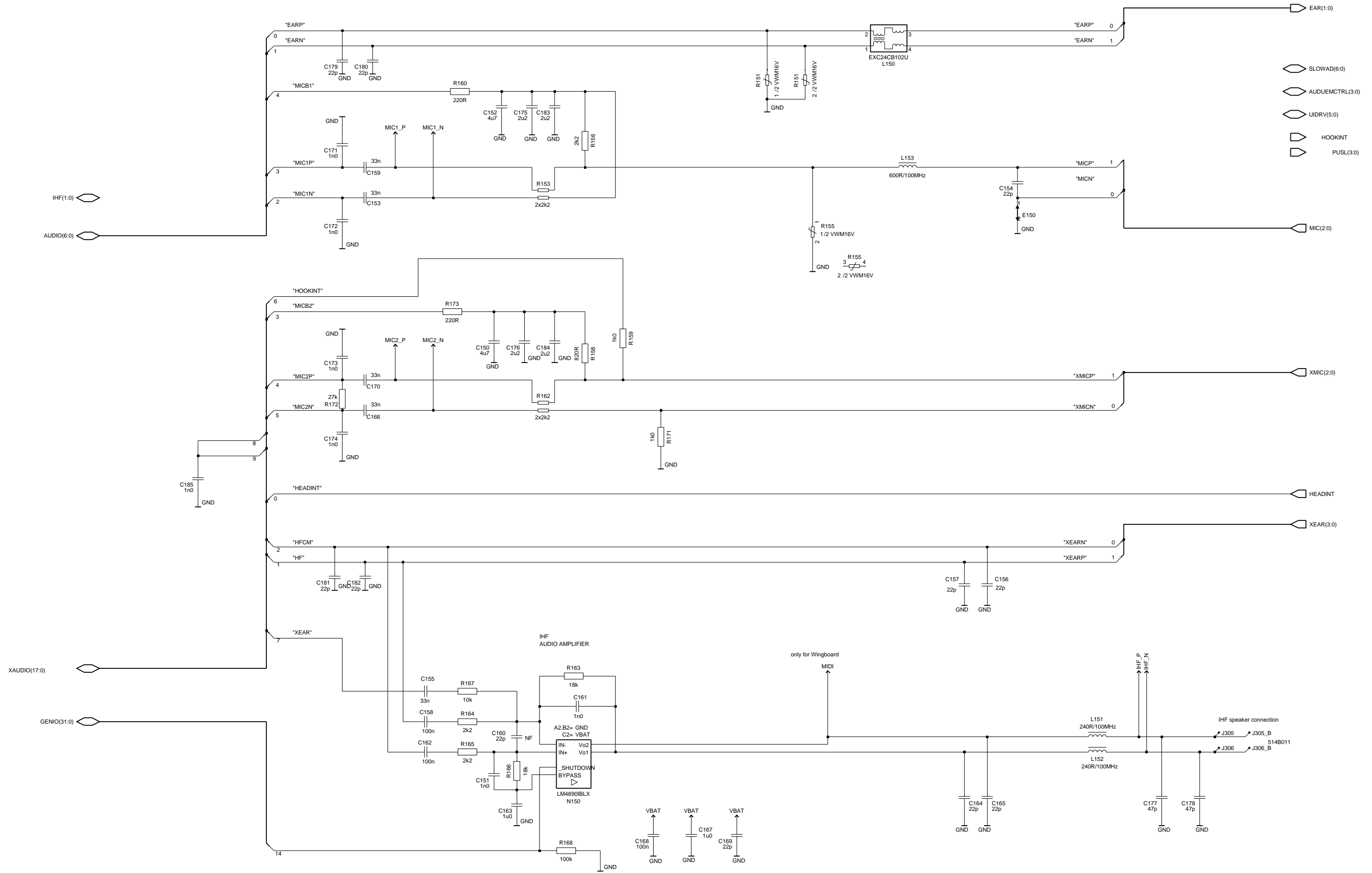


Title GSM RF - Baseband Interface



Title NPL-2 Audio

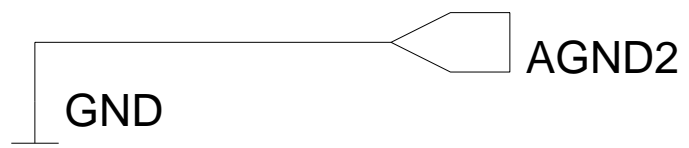
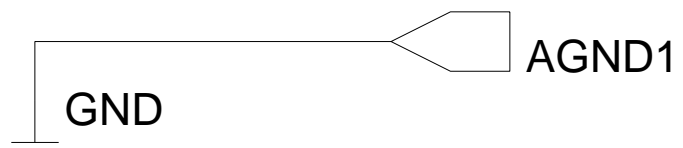
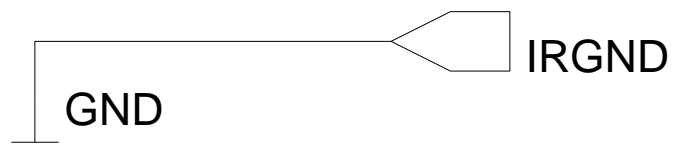
Varistor arrays have reliability issues



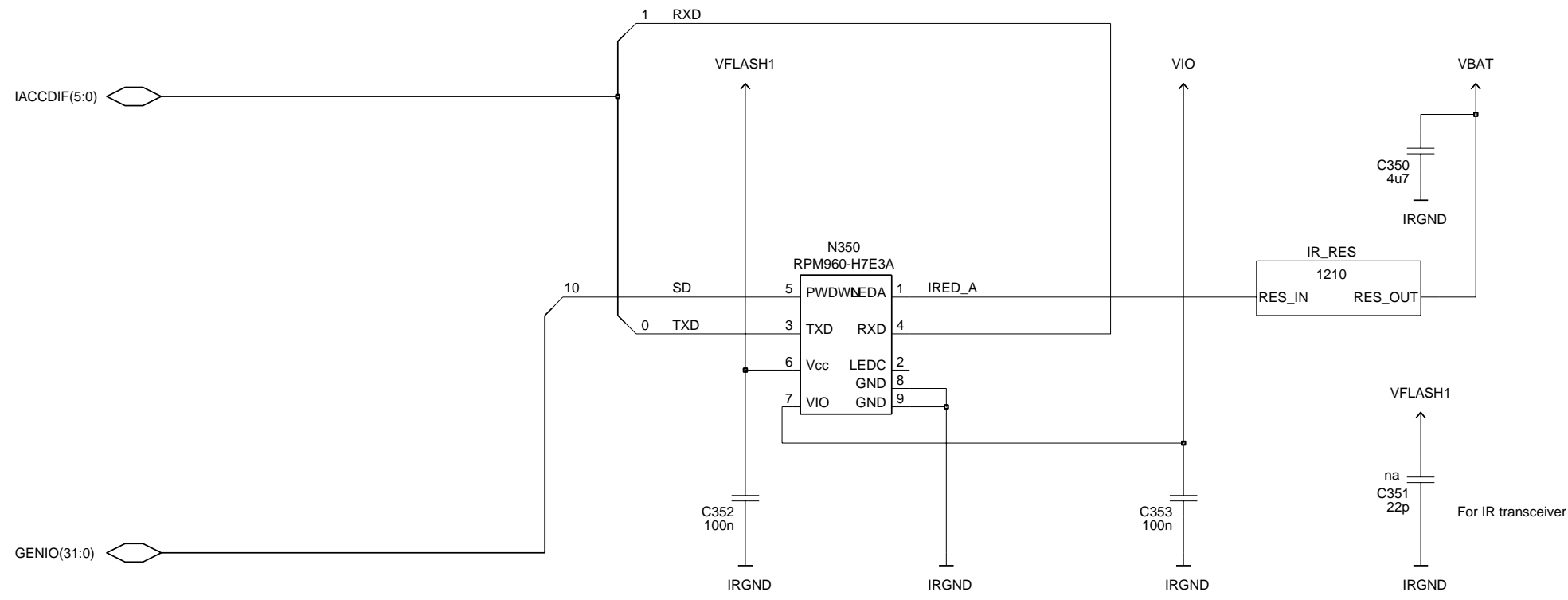
na = not assembled

Title MultiGND symbol bypass

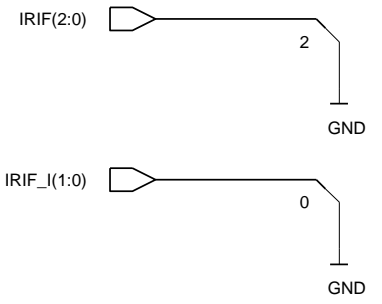
Title GPS Empty sheet



Title Rohm IR Module 1.8V



GPIO(31:0)

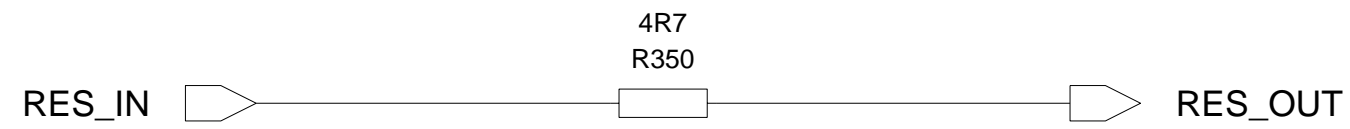


UEM IR level shifters are ground, when 1.8V IR is used!

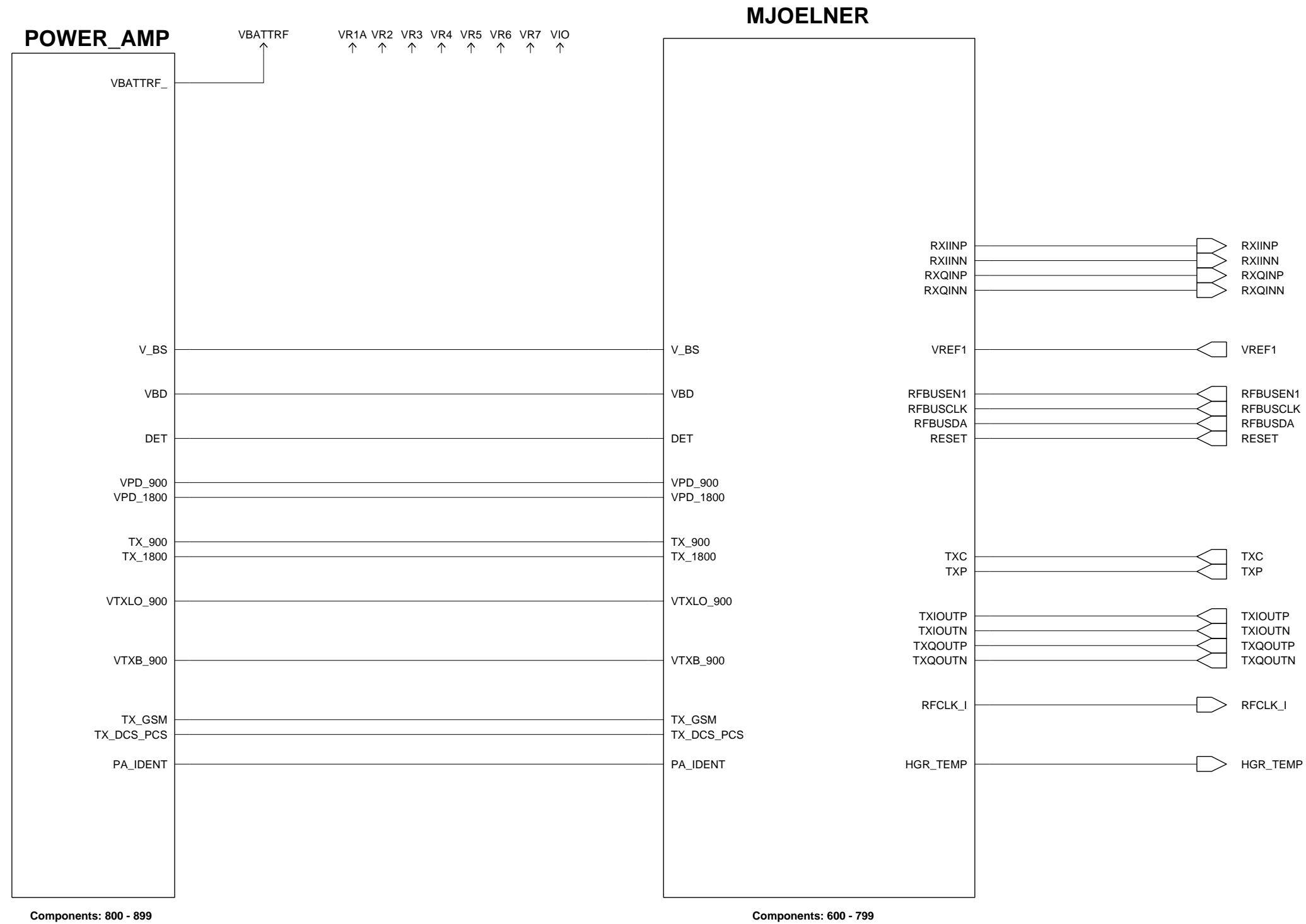
Used referenses

- C 350 - 353
- N 350
- R 350

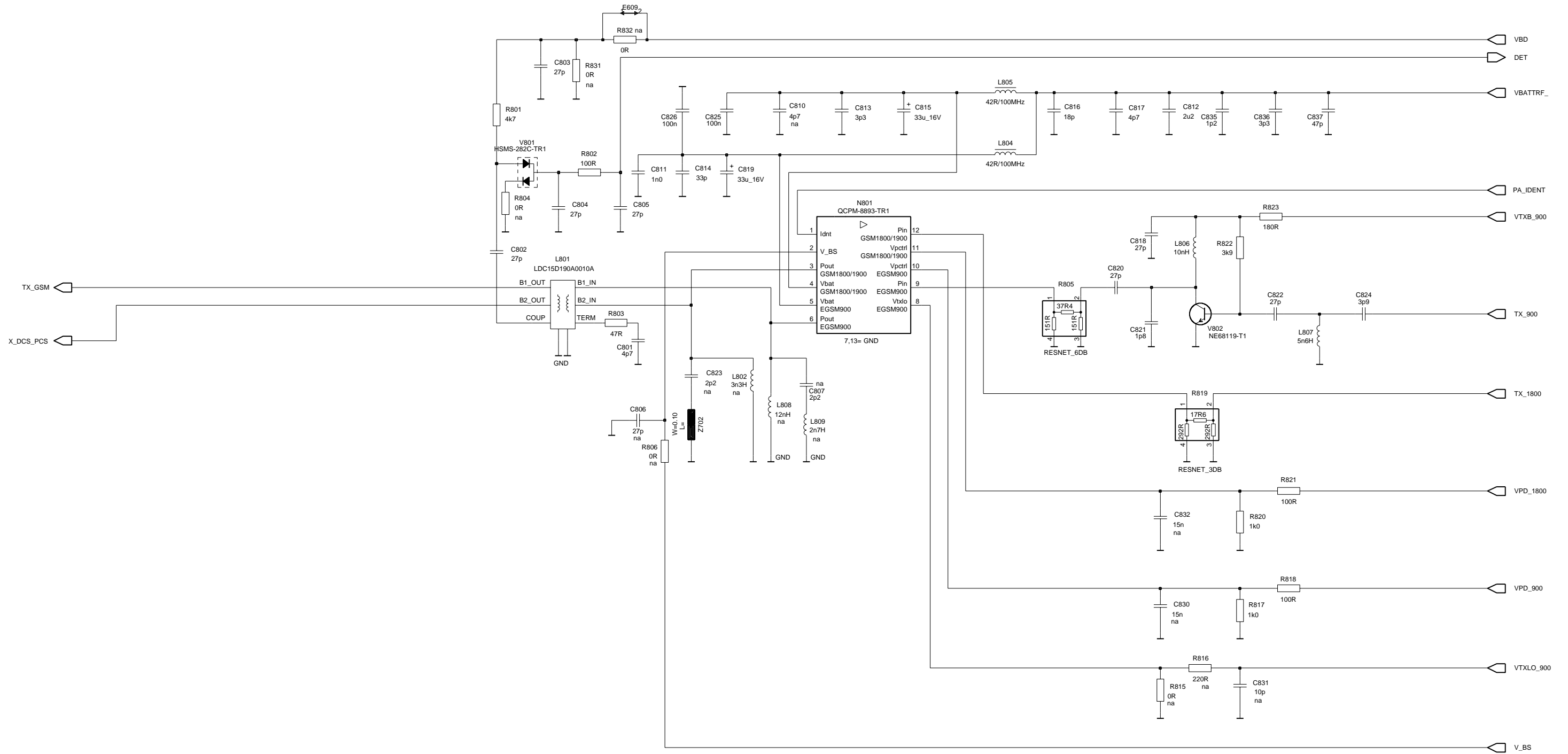
Title IR resistor 1210



Title RF Top sheet

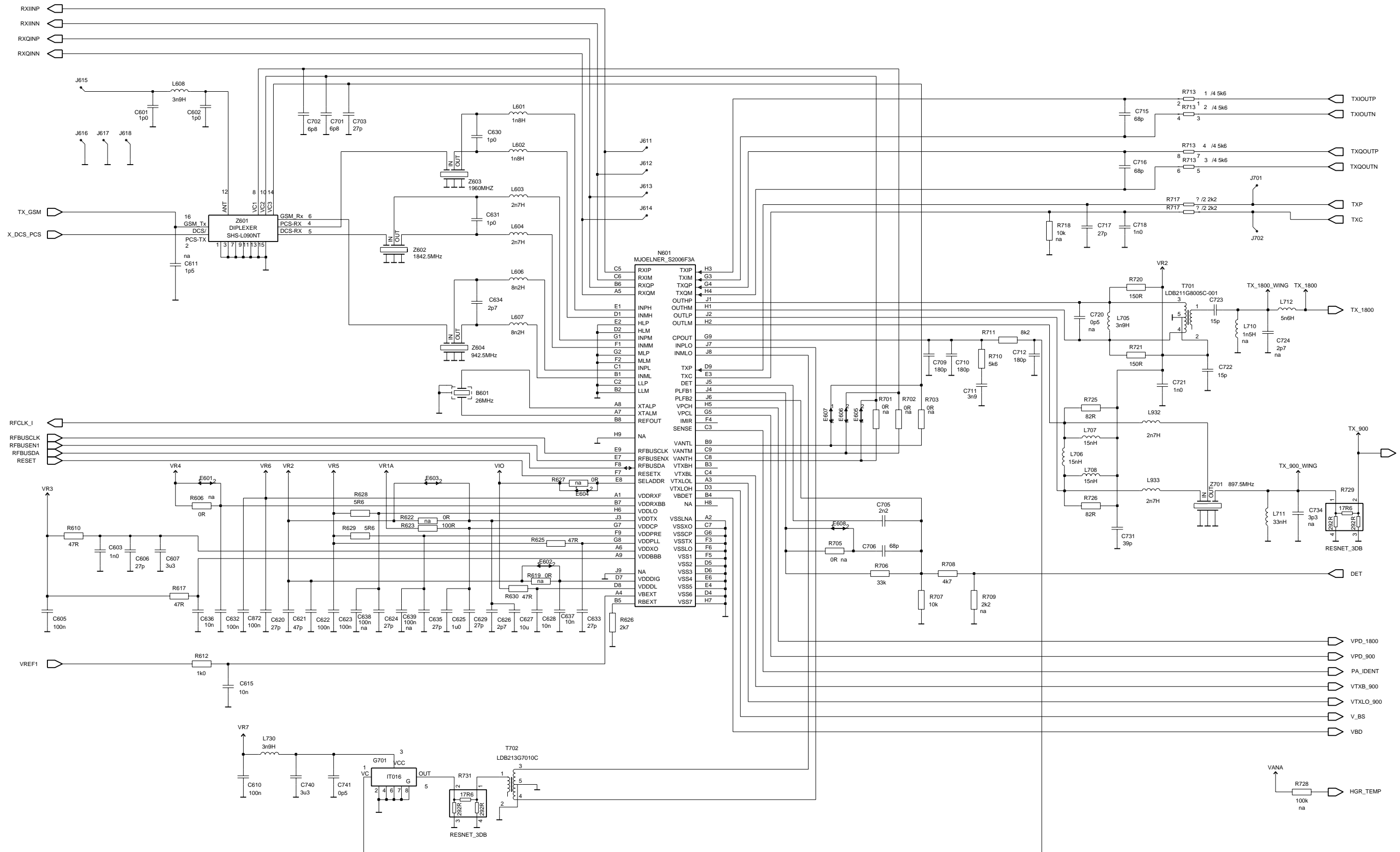


Title Power Amplifier



na = not assembled

Title Mjoelner



na = not assembled